

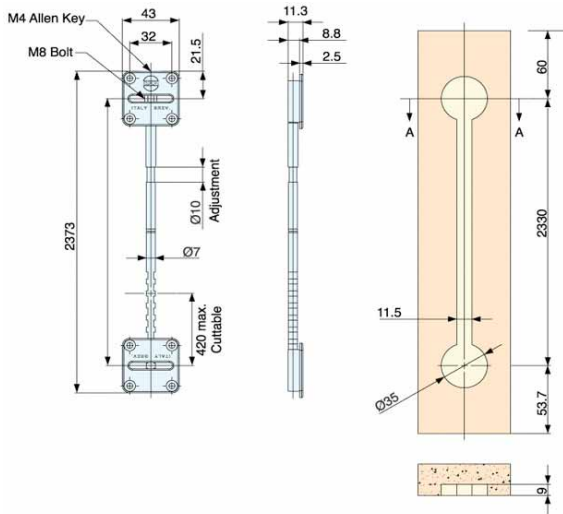


Recessed Door Straightener



Protect your doors from future warping with these door straighteners. They can help prevent doors from bending, due to warpage caused by heat and humidity. Pre-installed straighteners can also correct doors experiencing warpage.

Straighteners are designed to be installed at the time of door manufacture, and can be used for swinging doors, sliding doors or lateral opening doors.



- Partially recessed door straightener installs into back face of door
- +/- 10mm (3/8") adjustment can be made; adjustable at the top of door with M4 allen key or back face of door with M8 slot wrench
- Min 5/8" door thickness
- For door height 80-96", bar must be cut to length, up to 16-1/2"
- Requires (8) #8 flathead wood screws for installation

Code
213-2330-DSR

Description
Recessed Door Straightener

List/ea
\$ 25