

Stocking Barn Door Hardware Sets
Flat Rail Surface Mounting - Retail View Pack Kits

Update June 2017
New Items

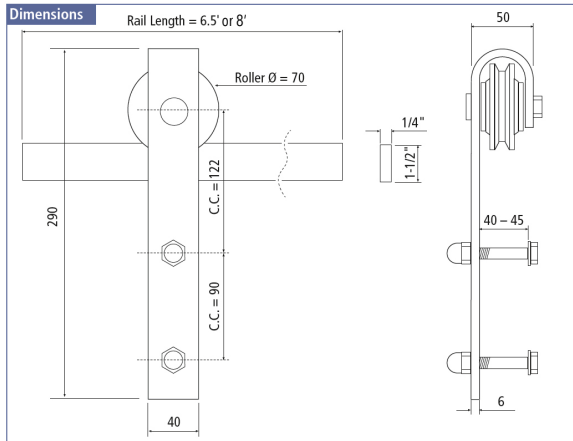
Surface Mount Flat Track Sets



Set Includes:

- 5 Clamps for Fixing Track
- 2 Door Stoppers
- 1 Rail, Length 6.5' or 8'
- 2 Anti Jump Blocks
- 2 Sliding Door Rollers
- 1 Floor Guide
- Screws and Allen Key

- 6.5' and 8' Track Sets available
- Carbon Steel Matte Black w/ Powder coat
- Max. Door Weight: 350 lbs. (160 kg)
- For door thickness of 1-1/4 to 1-3/4"



FT-MB - Flat Rail Surface Mount Specs

Code	Description	List/st
FT-MB-6	Surface Mount, 6.5', Matte Black Flat track set - Retail View Pack	\$ 240
FT-MB-8	Surface Mount, 8', Matte Black Flat track set - Retail View Pack	295

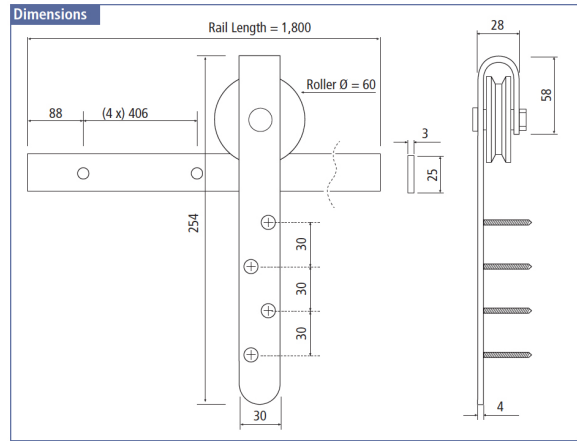
Mini Surface Mount Flat Track Sets



Set includes:

- 2 Door Stoppers
- 1 Rail, Length 5' 10"
- 2 Anti Jump Blocks
- 2 Sliding Door Rollers
- 1 Floor Guide
- Screws and Allen Key

- 5' 10" Track Set
- Carbon Steel Matte Black w/ Powder coat
- Max. Door Weight: 44 lbs. (20 kg)
- For door thickness of 1 to 1-3/16"



FT-MINI - Flat Rail Surface Mount Specs

Code	Description	List/st
FT-MINI-MB	Mini Surface Mount, Matte Black Flat track set - Retail View Pack	\$ 99

FRC-MB
Flat Rail Connector, Matte Black.
Used to splice flat track together.
List \$ 6.95 /ea.

FT-SC-MB Soft Close for FT-MB-6 and FT-MB-8

Max Load of 176 lbs.
Overall Dimensions:
13-3/8" x 15/16" x 13/16"
List \$ 51.99 /ea.