

Barn Door Hardware Sets Dropship Program



Flat Rail - Surface Mounting

- Carbon Steel w/ Powder coat or Stainless Steel
- Max. Door Weight: 350 lbs (160 kg)
- For door thickness of 1-1/4 to 1-3/4"



Flat Rail - Top Mounting

- Carbon Steel w/ Powder coat or Stainless Steel
- Max. Door Weight: 300 lbs (140 kg)
- For door thickness of 1-3/16 to 1-3/4"



Round Rail - Surface Mounting

- Stainless Steel
- Max. Door Weight: 260 lbs (120 kg)
- For door thickness of 1-3/8 to 1-9/16"



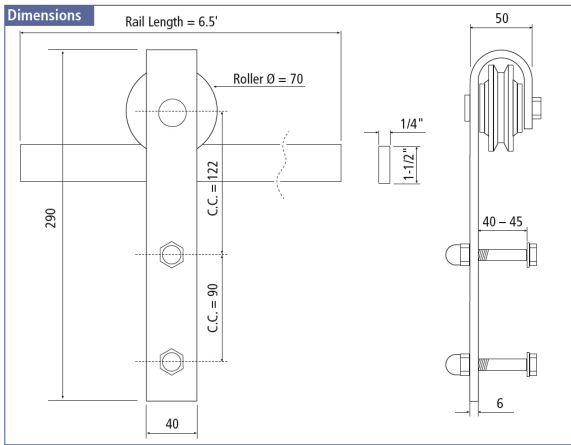
Round Rail - Top Mounting

- Stainless Steel
- Max. Door Weight: 260 lbs (120 kg)
- For door thickness of 1-3/16 to 1-3/4"

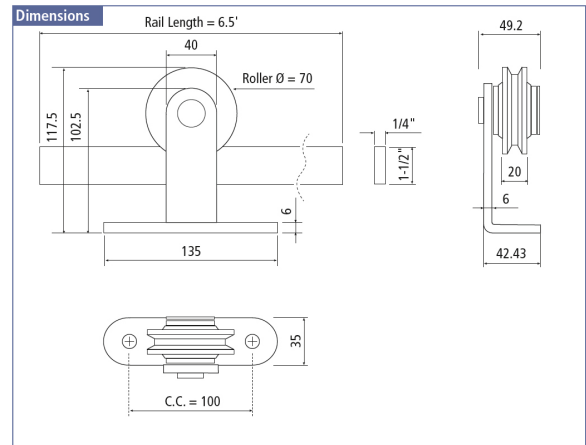
Barn Door Sets ship complete with 6.5' rail, clamps, rollers, spacers, door stops, floor guide, bolts & screws. Add \$ 30 **per set** for shipping/handling - Lead time approx. 1-2 days.

Item Number	Rail Type	Door Mount	Finish	Load Cap	List/set
77214-51-005	Flat	Surface	Matte Black	350 lbs.	\$ 240
77214-53-007	Flat	Surface	Oil R Bronze	350	240
77214-56-006	Flat	Surface	Stainless Steel	350	380
77224-51-008	Flat	Top	Matte Black	300	240
77224-56-009	Flat	Top	Stainless Steel	300	380
77114-56-001	Round	Surface	Stainless Steel	260 lbs.	440
77124-56-003	Round	Top	Stainless Steel	260	380
77113-56-002 (w/ Soft Close)	Round	Surface	Stainless Steel	260	540
77123-56-004 (w/ Soft Close)	Round	Top	Stainless Steel	260	460

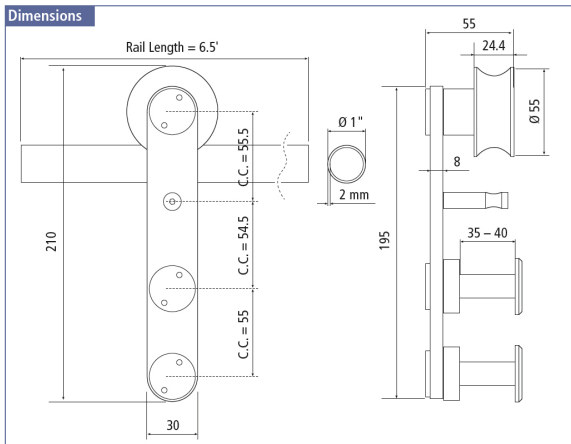
77214 - Flat Rail Surface Mount



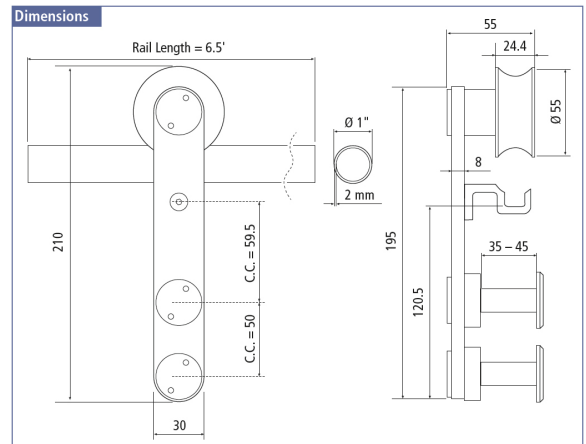
77224 - Flat Rail Top Mount



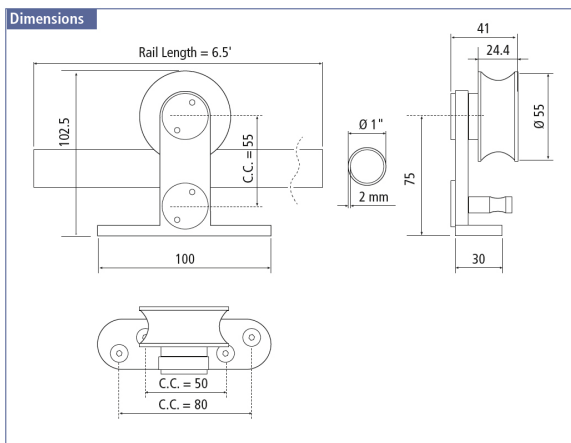
77114 - Round Rail Surface Mount



77113 - Round Rail Surface Mount - w/ Soft Close



77124 - Round Rail Top Mount



77123 - Round Rail Top Mount - w/ Soft Close

