



CORNERSTONE MAXX



Right Hand unit shown

One Shop's Experience:

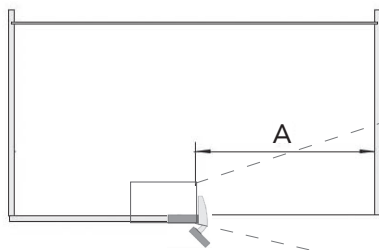


- The foreman's first response to seeing the Cornerstone arrive:

"Why did they order something different than the other German brand?" After he installed it: "This installed so EASY and I really like it. Let's use this from now on."

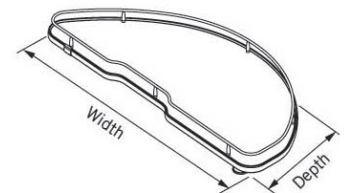
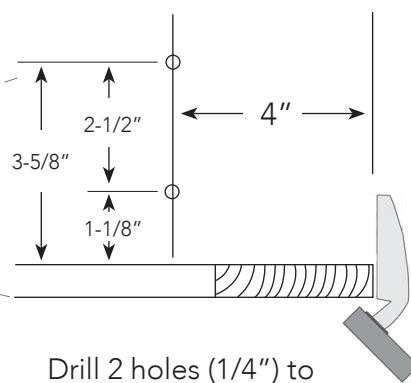
- Can be installed with drawer above
- The shelves can be moved in and out independently and do not obstruct the adjacent cabinet
- Rapid **single** post install showcases floating design
- Tool-free assembly of shelves onto supports
- Simple height adjustment

New Finish!
 White with
 Silver Railing



Min Opening (including door & hinge)

Size	A
2	16"
3	18"
4	22"



Product Dimensions

Size	Width	Depth
2	33"	14-3/4"
3	37"	16-3/4"
4	39"	18-3/16"

What to Order For one complete set, order 1 set of shelves and 1 hardware kit.

Shelves (required)

Size	Code	Min opening	Description	List/set
2	90007613	16"	LH, Maple shelves	\$ 215
	90007614	16"	RH, " " "	215
2	90007517	16"	LH, White shelves	215
	90007516	16"	RH, " " "	215
3	90007615	18"	LH, Maple shelves	230
	90007616	18"	RH, " " "	230
3	90007513	18"	LH, White shelves	230
	90007442	18"	RH, " " "	230

Shelves continued... (required)

Size	Code	Min opening	Description	List/set
4	90007617	22"	LH, Maple shelves	\$ 318
	90007618	22"	RH, " " "	318

Hardware Kit (required)

Code	Description	List/set
90007432	Universal Hardware Kit (non-handed)	\$ 303.60

You Tube See video on Cornerstone Maxx Installation at macpac1.com/videos.html#vauthsagel