



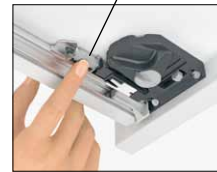
Sales Bulletin  
Feb 2017

**QUADRO 4D PUSH TO OPEN UNDERMOUNT SLIDES - IW20**

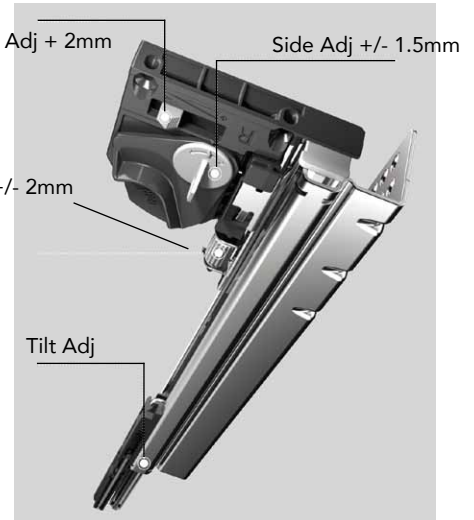
Adjusts for Inset, Height, and Side, plus Tilt. For perfect gap alignment



Rear Tilt Bracket



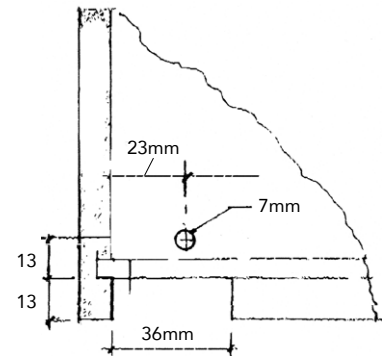
Front Clip:  
- Side adj.  
- Height adj.



- Load cap: 100 lbs. Dynamic.
- All steel chrome plated bearings ensure a smooth glide for the entire life of the slide
- Push to open - the precision activating mechanism opens the drawer automatically and in virtual silence - a light press is all it takes!
- Tool-free adjustment for **Height, Side, and Inset** depth. Optional rear tilt bracket is also tool-free.
- Self-cleaning ball-bearing tracks
- Uses #6-58FPDT screws (sold separately)

10 pr/ctn.

Code	Size	Drawer Lengths, 4 sided drawer, 1/2" material (+1/2 - 3/8")	List/pr
9181220-21	13", 320mm	13-1/16"	\$ 35.85
9181224-25	15", 380mm	15-3/8"	36.40
9181232-33	19", 480mm	19-1/8"	39.61



Code	Description	Ctn	List
9218980	Front Fixing Clips: Includes LH/RH clips and 2 ea. spacers	10 pr.	\$ 3.07 /pr
9205924	Tilt Adjustment LH	100	1.11 /ea
9205925	Tilt Adjustment RH	100	1.11