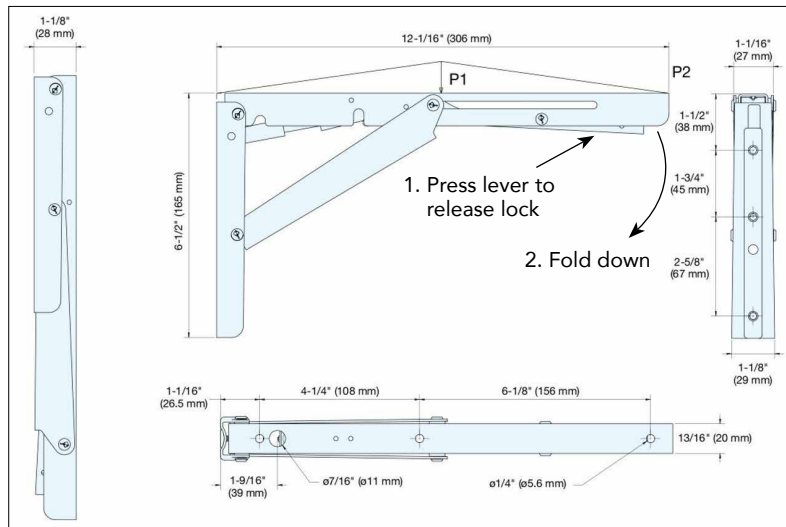




Folding Bracket with Soft Close Stainless Steel



- Automatically locks when flap is in open position - press lever to release the lock
- Additional hinges not required
- Damper unit with a soft-closing feature which makes bracket smoother and safer
- For panel thickness 9/16" - 1-3/8"
- Max folding capacity 22 lbs/pr at 11-13/16" depth
- 660 lbs/pr weight capacity in open position



**EB-303/EP-D
DAMPER WEIGHT CHART**

Table Folding Weights		Table Folding Depth	
2 pcs	1 pc		
26 lbs (12 kg)	13 lbs (6 kg)	11-13/16" (300 mm)	13-3/4" (350 mm)
22 lbs (10 kg)	11 lbs (5 kg)	15-3/4" (400 mm)	17-3/4" (450 mm)
17 lbs (8 kg)	8 lbs (4 kg)	19-11/16" (500 mm)	21-5/8" (550 mm)
13 lbs (6 kg)	6 lbs (3 kg)	23-5/8" (600 mm)	
8 lbs (4 kg)	4 lbs (2 kg)		
4 lbs (2 kg)	2 lbs (1 kg)		
0	0		

Max. Weight (Wmax = 130/ Table Depth)
Min. Weight (Wmin = 52/ Table Depth)

To find your Min/Max table weight per single damper, please reference the formula shown next to the chart and 18" depth example below.

EB303-EP-D
Max weight 7.2 lbs = 130/18"
Min weight 2.8 lbs = 52/18"

Code
EB303-EP-D

Decription
Stainless Steel, 12" Folding Bracket
Soft-closing

List/ea
\$ 90