

G*GRASS® Vionaro Drawer System



**Bulletin Update
May 2018**

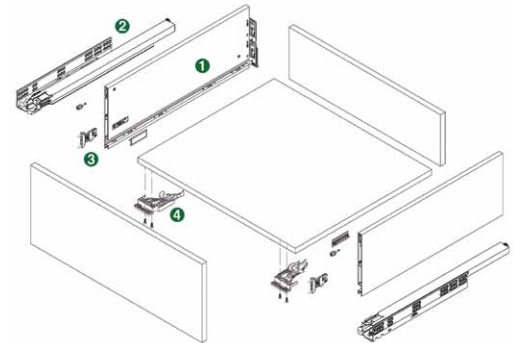
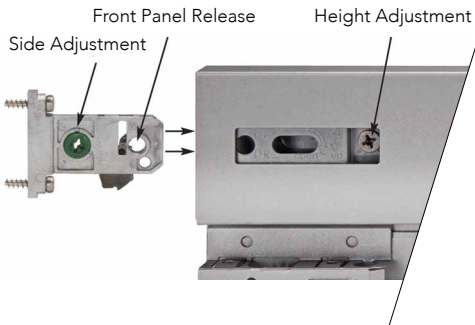


New Graphite finish

- Uses standard DynaPro 2D undermount slides - Load Cap: 100 lbs.
- Slim, 1/2" side width, 90° straight corners and sides
- Built-in height and side adjustment, tilt adjustment at back
- Tool free assembly
- Maximum 48" drawer width
- For frame and frameless cabinetry
- Silver grey or Graphite finish
- Avail. in 3-1/2" and 7-1/4" side heights

Front of Side Panel

Rear of Side Panel



Key

1. Drawer Sides (Left/Right - 7-1/4" Ht. shown)
2. DynaPro Slides (2-D)
3. Adapter Set: Front Adapters (2x)
Cover Caps (2x)
Front stabilizers (2x - for V185)
4. Front Clips with flange

Vionara Drawer Sides

Order 1 Side Set (L/R), DynaPro Slides, Adapter Set and Front Clips separately (next page). 10 sets/Ctn.

3-1/2" side height

Code	Finish	Length	List/st
V89-15S	Silver	15"	\$ 48.20
V89-18S	Silver	18"	48.98
V89-21S	Silver	21"	49.58
V89-15G	Graphite	15"	\$ 47.24
V89-18G	Graphite	18"	48.00
V89-21G	Graphite	21"	48.61

7-1/4" side height

V185-15S	Silver	15"	\$ 79.16
V185-18S	Silver	18"	80.96
V185-21S	Silver	21"	80.61
V185-15G	Graphite	15"	\$ 70.75
V185-18G	Graphite	18"	72.27
V185-21G	Graphite	21"	73.38

9-13/16" side height

V249-15G	Graphite	15"	\$ 124.10
V249-18G	Graphite	18"	126.66
V249-21G	Graphite	21"	129.21

Adapter Sets, 50 sets/Ctn.



Code	For 3-1/2" side height	Finish	List/st
V89-AS	Includes Front adapters, Cover Caps	Silver	\$ 8.32
V89-AG	Includes Front adapters, Cover Caps	Graphite	8.48
Code	For 7-1/4" side height	Finish	List/st
V185-AS	Includes Front adapters, Cover Caps, Front stabilizers	Silver	\$ 10.85
V185-AG	Includes Front adapters, Cover Caps, Front stabilizers	Graphite	11.06

Vionaro Drawer System - Continued

Front Clips with Flange



1 LH/RH clip per set.

Code	Ctn	List/st
DP-V	5	\$ 3.35



DynaPro Slides - 5 prs/Ctn (for metal or wood drawers)

Code	Load Cap.	Length	List/pr
DP-15	100 lbs.	15"	\$ 35.25
DP-18	100 lbs.	18"	35.90
DP-21	100 lbs.	21"	36.49

Vionaro Drawer System - Accessories

For Inset Drawers 50 Sets/Ctn.

Inset Drawer Accessory Set

Consists of:

- 2 ea. Cover caps
- 1 st. Front locking devices (L/R)
- 2 ea. Front connectors
- 4 ea. Special screws
- 1 ea. Front Bottom connector
- 2 ea. End caps



Code	Finish	Side Height	List/st
V89-IAS	Silver	3-1/2"	\$ 23.15
V89-IAG	Graphite	3-1/2"	23.15
V185-IAS	Silver	7-1/4"	29.15
V185-IAG	Graphite	7-1/4"	29.15

Inset Front Panel 10 ea/Ctn.

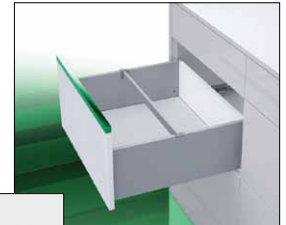
45-11/16" (1160mm)
cut to size



Code	Finish	Side Height	List/st
V89-IPS	Silver	3-1/2"	\$ 61.45
V89-IPG	Graphite	3-1/2"	59.19
V185-IPS	Silver	7-1/4"	93.50
V185-IPG	Graphite	7-1/4"	99.13

Cross Divider Rails / Holders

- Cross-divider for all Vionaro drawers
- Simple installation by mounting on the drawer side
- Tool-free adjustment



44-1/4" (1124mm), cut to size.



Code	Description	Finish	List
V-CDS	Cross Divider Rail	Silver	\$ 28.29/ea
V-CDG	" " " "	Graphite	28.29
V-HS	Holder for Divider Rail	Silver	5.59/st
V-HG	" " " "	Graphite	5.59

Front Marking Jig



- 2 marking jigs for both 3-1/2" and 7-1/4" heights

Code	List/st
V-FMJ	\$ 33.24

Depth Adjuster

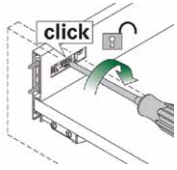
- Gives +4.5mm forward adjustment



Code	List/pr
DP-I	\$ 5.15

Snaps onto slide

Removing the Drawer Front



Use a pozidrive screwdriver to release drawer front, and for all adjustments

Drawer Measurements

7-1/4" side height

