



Zeta P2 for Biscuits and RTA fittings

Zeta P2
101402S

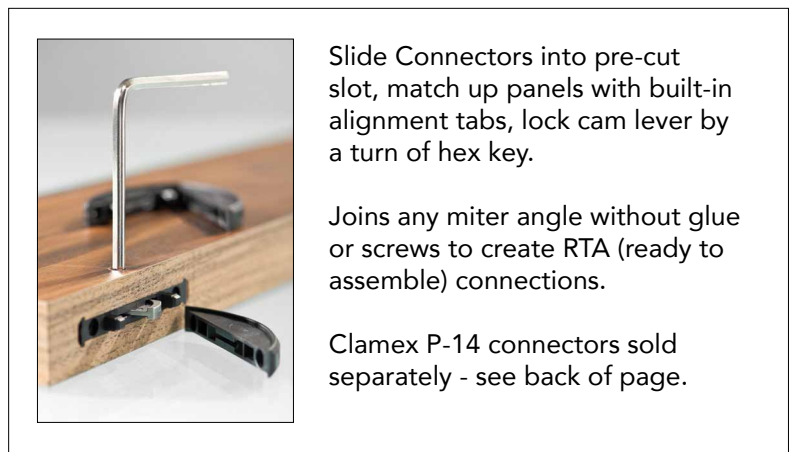
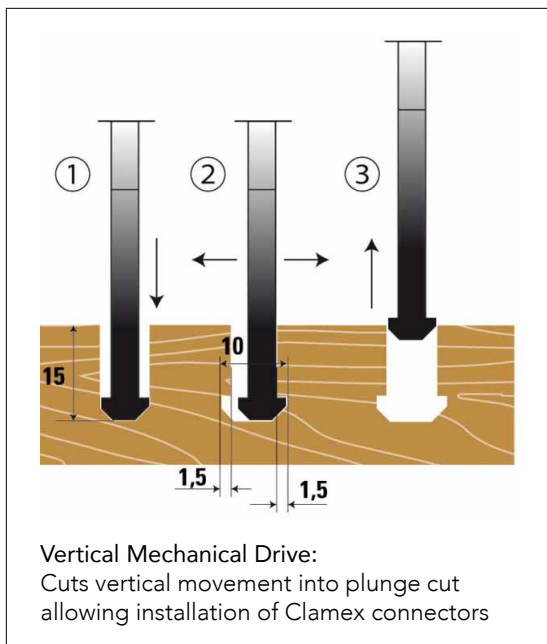


The Zeta P2 machine for the evolving P-System will save you time everyday! The P-System depth adjuster allows you to easily choose between five P-System depths. The cutter plunges into the preset depth, then follows a vertical movement up and down for the profile cut called the VMD Vertical Mechanical Drive, which can be simply switched off so that the Zeta P2 can be used as a standard biscuit joiner (Standard cutter is sold separately - #132000).

The vertical mechanical drive (VMD) is the core of the machine and the key to the Clamex P-14 and Clamex Medius connector system. Model 101402S comes with a carbide tipped profile groove cutter. Comes in a Systainer box.

- P-System Depths - Depth 14 is for Clamex P-14 and Tenso P-14, Depth 10 for Clamex P Medius
- Swivelling front stop and stop square are flush on both sides
- Large fence surfaces
- 800 watt motor with electronic control
- Rotating depth adjuster with 6 standard stops
- Base plate and fence is flush for side reference for fast positioning on edge of the work piece
- Pivoting trigger to switch off the VMD function to use as a standard biscuit joiner (please note that the standard cutter is sold separately)
- The quickest and most economical way to install knock down fittings

Code	Net
101402S	\$ 1650



YouTube See video at MacMurrayPacific.com/videos#lamello



P2 System Connectors

Clamex P-14

The Detachable, Eccentric Cam Connector slides into place--No Tools Required



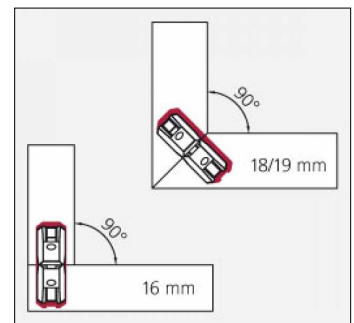
145334
66 x 28 x 9.7mm
Use with Zeta P2

- Fits into T-groove slot made with a Zeta P2 machine: Simply slide connectors in pre-cut slot, match up panels with built in alignment tabs, lock cam lever by a turn of a hex key.

Code	Box	Net/Bx
145334	80 pr	\$ 120
145346	300 pr	415



- Joins any miter angle without glue or screws to create nearly invisible Ready To Assemble (RTA) connections.

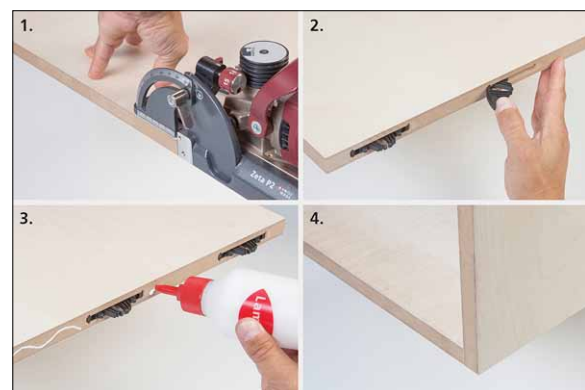


Tenso P-14

Glue Faster: Invisible Self-Clamping Glue Aid



145415
66 x 28 x 9.7mm
Use with Zeta P2



The Tenso P-14 is a self-clamping fitting with three functions: alignment, clamping and connecting. The high clamping force allows work pieces to be glued without clamps or pressure. Anchors the work piece in just seconds, without tools.

Code	Pack	Net/Pk
145415	80 pr	\$ 80
145425	300 pr	240

Minimal installation depth of 14mm and can be used in wood materials from 15mm. Zeta P2 depth setting 14.



Accessories for Zeta P2 System



Clamex P Carbide Cutter. Replacement T-Groove cutter for Zeta P2. 100 x 7 x 22mm.

#132141

Net \$ 140.00



This 6 Tooth Carbide Cutter is the standard blade for the Zeta P2 - when you want to use it as a cutter for standard biscuits.

#132000

Net \$ 110.00



4mm Hex Key for all Clamex connectors.

#271945

Net \$ 1.25