

SALICE Pocket Door System

Updated
Order Form

Sales Bulletin
May 2017

Update
Feb 2019

Salice's pocket door system features an assisted soft-close door-return mechanism and a door opening safety device. The system incorporates an exclusive, synchronised cam movement – the hallmark of all sliding mechanisms supplied by Salice.

In addition, this system has been designed to offer simple fitting and adjustment, and can be installed, adjusted and inspected in situ, as all three movements are adjusted from the front of the cabinet in a simple, intuitive way. If so required, the complete mechanism can be removed from the front without dismantling the cabinet side. For use with individual door weights up to 66 lbs.



Door features

- Maximum weight for each door : 66 lbs (30 Kg). (distributed evenly)
- Thickness: - min. 3/4" (19 mm) - max. 1-3/16" (30 mm)
- Width: - min. 15-3/4" (400 mm) - max. 35-7/16" (900 mm)
- Height: - min. 61" (1550 mm) - max. 98-7/16" (2500 mm)
- Door vertical adjustment: +4/-1 mm
- Door horizontal adjustment: ±2 mm
- Door front adjustment: ±4 mm
- Cam-assisted door extraction movement
- Soft closing and soft opening buffer
- Material: a) wood or derivatives; b) metal and glass frame



YouTube



See Salice Pocket Door System videos at
<https://macpac1.com/videos.html#salice>

Technical Features

Vertical Door Adjustment	+4, -1
Horizontal Door Adjustment	+/-2
Easy to remove from the cabinet	YES
Max Load	66 lbs. (30 kg)
Door Width	15-3/4" - 35-7/16" (400-900mm)
Door Height	61-1/32" - 98-7/16" (1550-2500mm)
Door Thickness	3/4" - 1-3/16" (19-30mm)
Inset Door Application	YES
Opening and Closing decelerating system	YES
Min. Cabinet Depth	15-3/4" (400mm)

Key Advantages

Pre-assembled without extra cost

Slide in and pull out assisted movements

Easy and quick mechanism pull out

High resistance and durability, certified with 100,000 cycles stress test

Decelerated door slide in

Quick frontal adjustable

Simple and fast assembly of the door to vertical bar

Competition Benchmark Comparison

Product Model	Salice	Hawa
	Pocket Door	Concepta25/30
Door Max Weight	67 lbs. (30 kg)	55/67 lbs. (25/30 kg)
Door Width	15-3/4" - 35-7/16" (400-900mm)	11-13/16" - 35-7/16" (300-900mm)
Door Height	61-1/32" - 98-7/16" (1500-2500mm)	49-3/16" - 98-7/16" (1250-2500mm)
Door Thickness	3/4" - 1-3/16" (19-30mm)	3/4" - 1-3/16" (19-30mm)
Mechanism space required	2-3/16" (55mm)	2-3/16" (55mm)
Mechanism rear space required	4-3/16" (107mm)	2-7/8" (73mm)
Assisted Door Pull Out	YES	NO
Assisted Door Slide In	YES	NO
Decelerated Door Slide In	YES	NO
Door Frontal Adjustment	YES	YES

How to order the mechanism

- 1) Complete all the requested values in the section "cabinet dimensions" of the order form.
- 2) Choose the Handing (slide-in, slide-out side). Select the box "Right" or "Left".
- 3) Optional accessories:
 - "Side panel connector kit" : choose one of three cases (if desired)
 - "Front cover kit" : choose the color
 - "Magnetic kit for door and cabinet" : select the boxChoose Soft-close option for door hinges



RH Shown

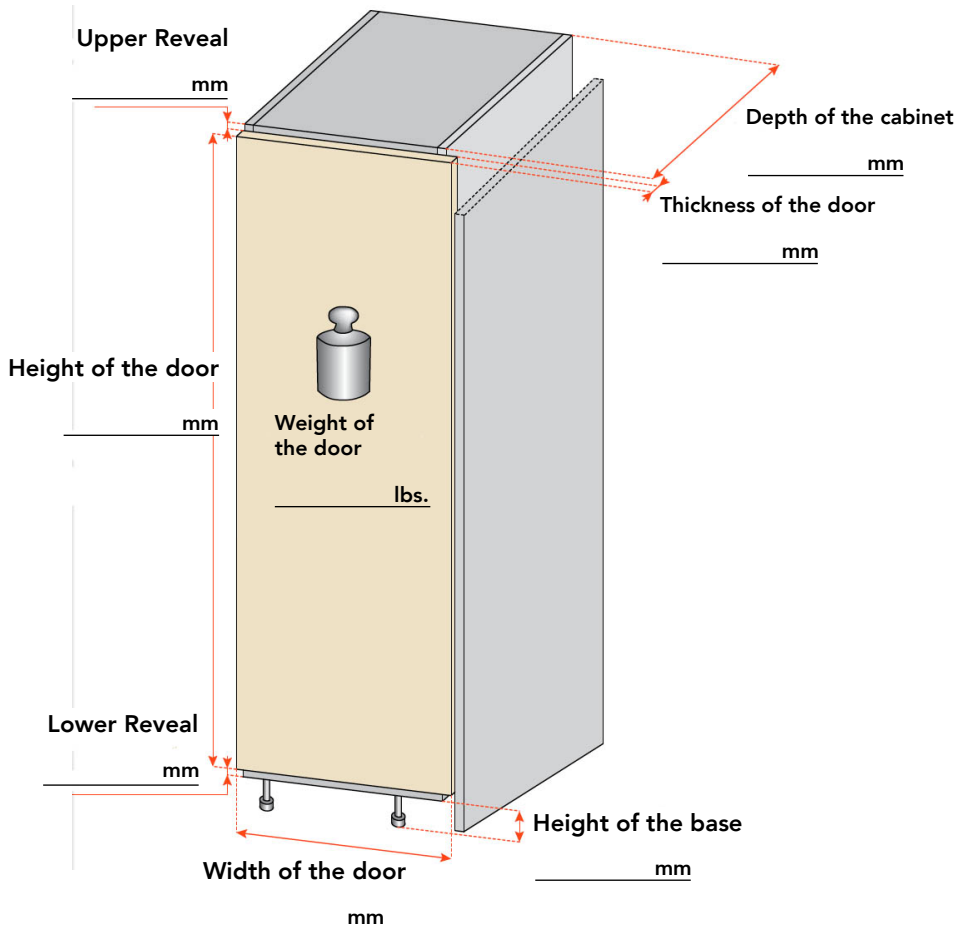


Order Form Details needed to order a mechanism

Customer Name:	Today's Date:	Comments:
Customer #:	P.O. #:	
Address:	Contact Name:	
City, State, Zip:	Phone / Fax:	

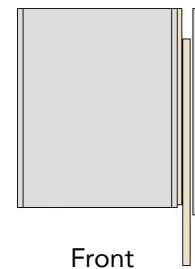
1. Cabinet Dimensions, Door Dimensions:

For the max. and min. dimensions, please refer to page 1 of this packet.



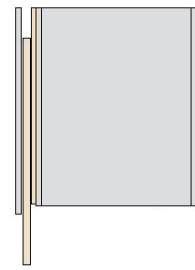
2. Handing of Pocket

(Side where door slides in and out)



Right

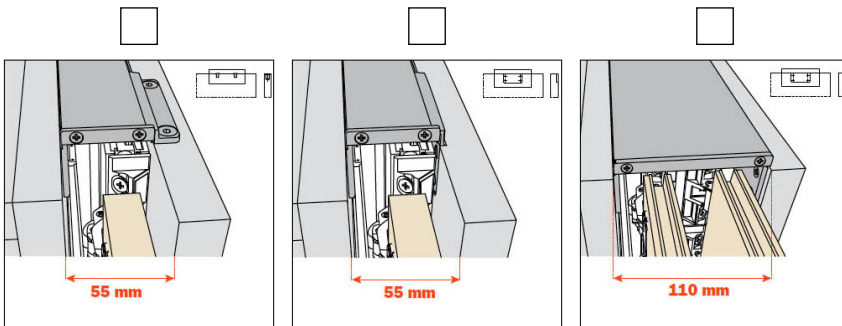
Front



Left

Front

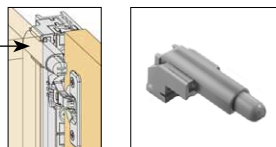
3. Side panel connector kit



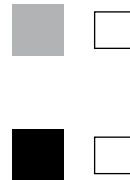
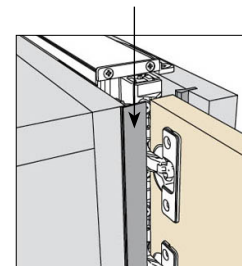
Options

4. Soft-Close Kits on Hinges

Yes No



5. Front cover kit: Choose color



6. Magnetic kit for door and cabinet

